



Franz Video Equipment Schulhof 4

97286 Winterhausen-

### Camerasystem for Polarstern

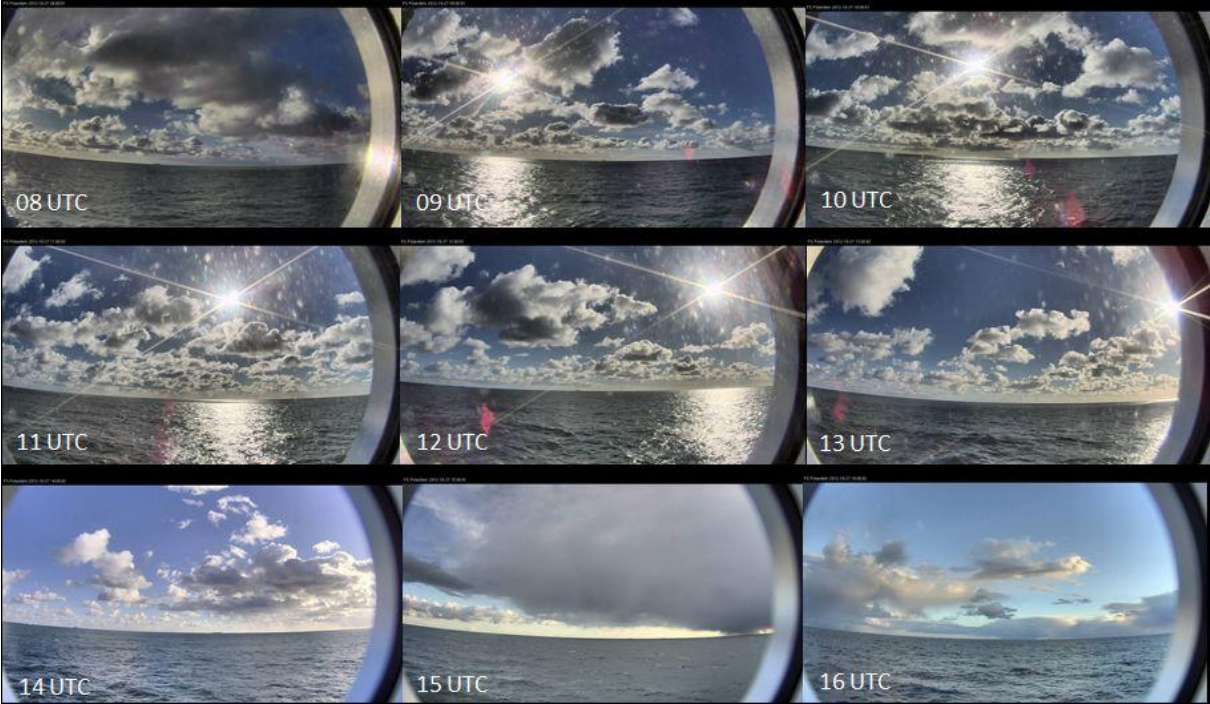
The German research vessel Polarstern is on a long trip down to the Antarctic. One of their missions are to make measurements to observe the global warming. For this they make cloud pictures.



In a first view it isn't a problem to make a cloud picture, but if you want to see details standard cameras will fail. If you make pictures with a standard camera from a sunny blue sky with some clouds on it you will mostly see a picture which is too dark. All details fades away. The dynamic range of normal cameras are too low for a good picture.

<p><b>Radiosonde</b></p>	<p><b>Bordwetterwarte FS Polarstern</b></p> <p><b>Reise: ANT-XXIX/1</b></p> <p><b>Wetterbeobachtung Wettervorhersage</b></p>	<p><b>FH33-Routineberichte</b></p>
<p><b>Bremerhaven – Kapstadt      FH33-Drehbuch</b></p>		
<p><b>Webcam</b></p>	<p><b>Satellitenbild</b></p>	<p><b>FH33-Sonderberichte</b></p>

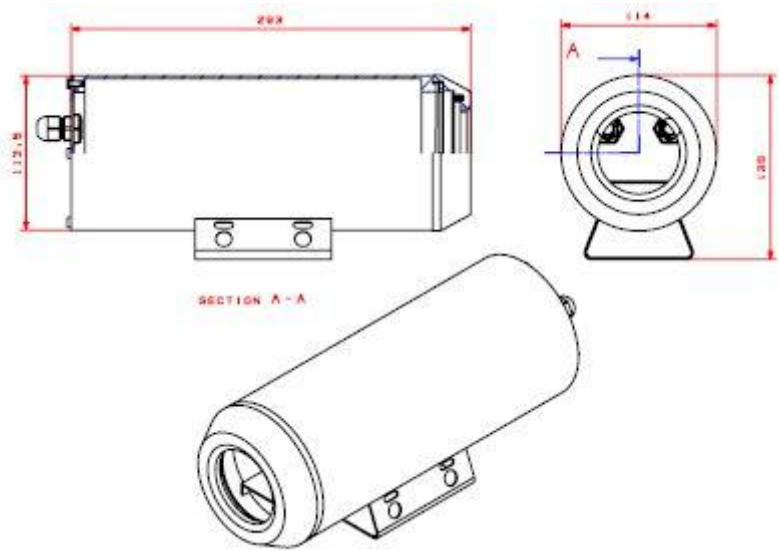
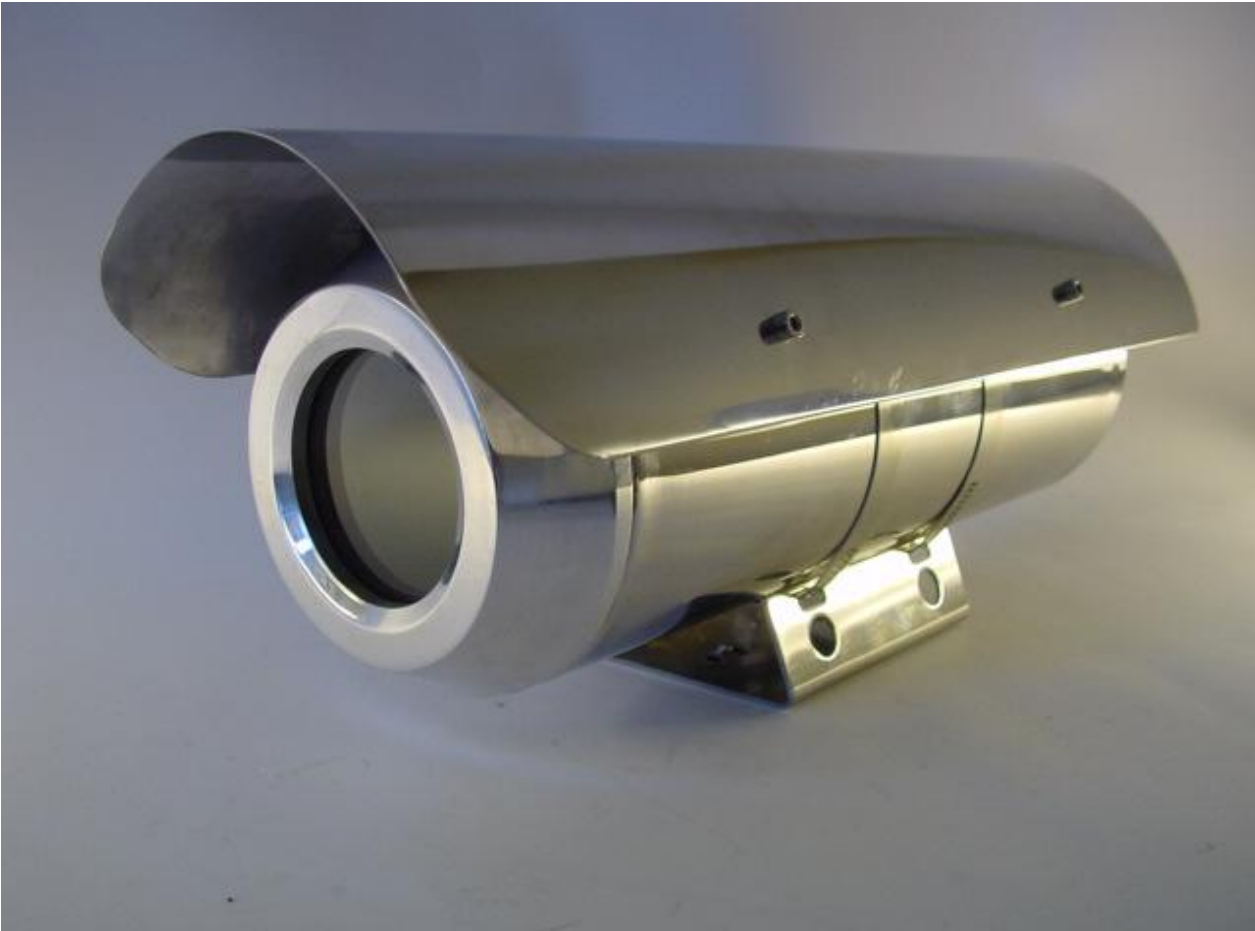
Therefore we mounted the new **AXIS Q1604**. This model has an extraordinary dynamic range. You can film a sunny blue sky and also see details in the clouds.



In addition we mounted the camera in our 9700 stainless steel housing with IP68 standard.



The housings is amde of 316 marine steel and so saltwaterproof. The power supply is made by a build in high PoE splitter.



Franz Video 11/2012