



Housings for AXIS M1011/M1011W and M1031

The new developed housing for the M1011 series is available in various models. The camera is easy to mount from the housing backside. The housing is made of plastic, so there is not a big influence in the range of the wireless signal. We offer heated and non heated housings. Also various kind of power inputs are available, 12VDC, build in wide range power supply 90-240VAC and build in PoE splitter.

Standard color is grey but we also can ship it in the color you like .

The IP rank is IP 65. The frontglas a a optical UV filter which brings you better color quality outdoor.

Important notice: The AXIS M1011 do not have a IRIS control, so it could be possible on sunny days, that some picture areas are over booming and not visible.



Modell 6204

Modell 6207

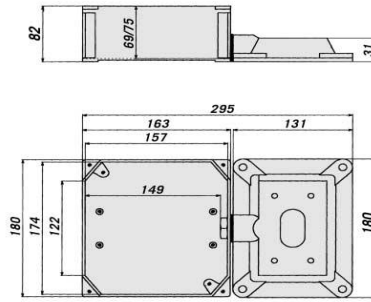
Massive wallmount with balljoint
With covered cable channel.

When you mount in the M1031 into the housing, the movement detector and the light from the camera is out of use

AVAILABLE VERSIONS

| Modell Nr.: | UV-Glas | 2PG cable outlet | heater/fan | build in power supply | wallmount with couverd cable chanel | PoE Splitter |
|-------------|---------|------------------|------------|-----------------------|-------------------------------------|--------------|
| 6206 | X | X | | | | |
| 6207 | X | | | | X | |
| 6209 | X | X | X | X | | |
| 6209/WM | X | X | X | X | X | |
| 6205 | X | X | X | | | X |
| 6205/WM | X | | X | | X | X |

IMPORTANT NOTICE: In all PoE versions the injector is not included in the kit and have to be ordered separately



Special version Modell 6206/M10. The housing is mounted a rugged wallmount with couved cable channel. Also you get a connection box. Here you have space for additional electronic like Optical converters ect.

**FRANZ VIDEO EQUIPMENT
GERMANY REV:01/2010**