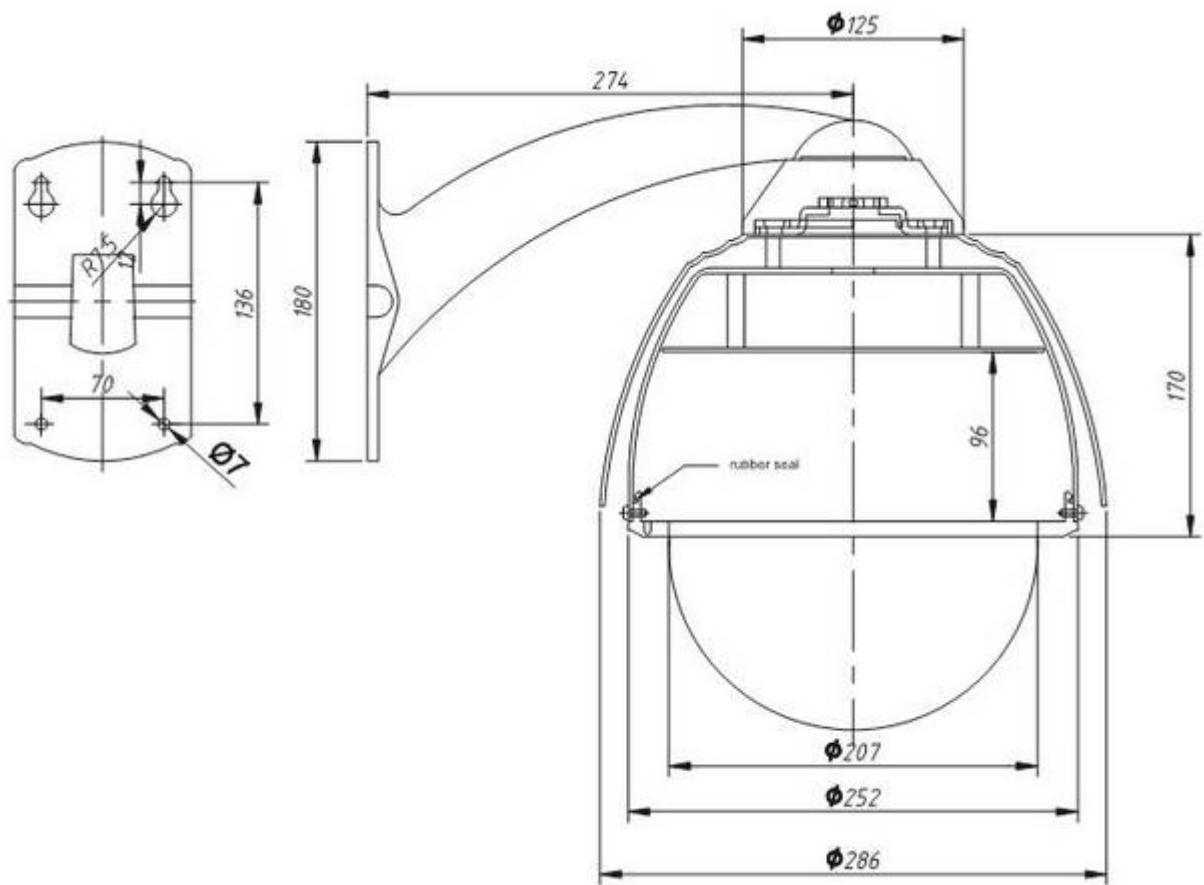


Outdoordomhousing IP 67

New designed full aluminium domhousing . A special benefit is our snap in mounting system which allows a fast and easy mounting. You just have to snap in the dom into the bracket, , twist and fix with 2 screws. Our housing is fully mounted , wired and ready to use. By installing network cameras a RJ45 cable comes out of the dom . Availabel for some camera modells as a high PoE version. You can order the housing with 12VDC, 24V or 90-264 VAC input. So for example if your camera needs 24V and you want to supply over a solar panel with 12VDC we can add a build in converter for you.

Also available are vandal proof glas in clear or smoked version





Franz Video Equipment Rev.01/2010