



Accessories AXIS 214

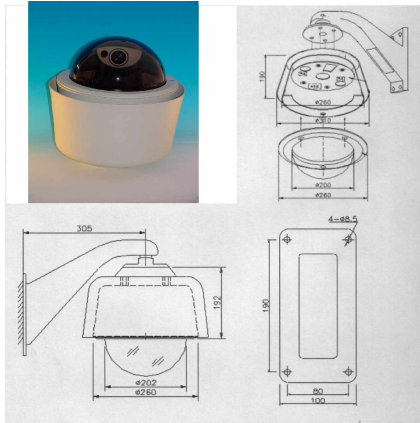
Outdoor housings:

Modell ECO IP66

The outdoor housing ECO is completely made of ALUMINIUM, powdercoated. The housing is equipped with heater, fan, camera power supply and camera mounting. It comes completely wired, so you just have to build in the camera with 3 screws.

[Part.Nr.:9100](#)

As accessories you can order different mountings for wall, ceiling or polemount.



Accessories:

- Wallmount** [Part.Nr.:9105](#)
- ceiling mount** [Part.Nr.:9101](#)
- pole mount** [Part.Nr.:9117](#)
- corner mount** [Part.Nr.:9109](#)
- self cleaning glass** [Part.Nr.:9115](#)

Also we offer additional heaters for lower Temp.

Indoor housing AXIS 214

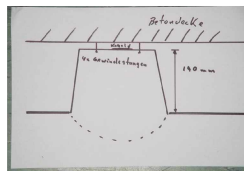
This housing bases on the ECO outdoor model. The difference is, that this housing do not have a sunshield, heater and fan.

[Part.Nr.:9200](#)

Includet in the set is a mounting for the camera powersupply and the camera. All accessories from the Modell 9100 can be used here also



Special housing for false ceiling mount



[Part.Nr.:9300](#)

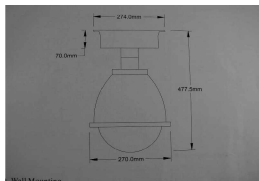
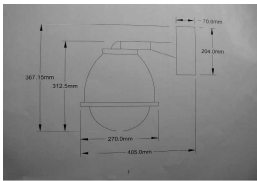
This unit can be built into false ceiling. The housing can be mounted over 4 screws to the ceiling behind. This system is working from 150 mm up to 200mm distance from ceiling to false ceiling.

The ring can be delivered in a colour you need (RAL)

The housing comes with decor ring, camera and power supply mounting.

Domhousing IP 68 for Axis 214

Outdoorhousing for Axis 214 for hard outdoor conditions. This unit comes with a massive aluminium connector box, built in wallmount domhousing with heater and fan. Also a vandal proof glass is included. In the connector box you will find place for building in additional electronic for the camera.



Specification:

Brecket: Aluminium
Top: Flame resistant ABS
Housing: Polycarbo OFF: +25C
heater activation: ON +15C OFF: +25C
fan activation: ON:+35C
weight: 5 KG
classified: IP68
glas resist a hammer with 10 lbs
Standard Temp. Range: -25 to +50 degree*
Also we can build in additional heater for lower temperatures.

Outdoorhousing IP68
Pole/Cornermount adapter
Self cleaning glass

Part.Nr.:9000
Part.Nr.:9009
Part.Nr.:9011

* please note, that the AXIS 213 can work only up to 45 degree.

Camera mounting ,INDOOR

Aluminium Wallmount with massive ball joint. The mounting plate fits perfect to the camera and is easy to mount. The ball joint can be fixed over a screw

Part.Nr.:4007



Microfonset

Microfonset for the Axis 214. The Electret high sensitiv microfon will be mounted to the filterring from the camera. The microfon moves with the camerahead, so you will have the main sensitivity in the direction you are looking with the camera. Also a preamplifier who can be adjusted from the user is in the kit.

Part.Nr.: 4005



Infraredset

Like the Microfonset you mount the Infrarredlight at the camera filterring. The LED spot can be switched on/off over IP. The light moves with the camerahead, so you will illuminate the direction you are facing to. The standard spot do have 875nm with 50 degree angle. You can illuminate in total darkness up to 8m. The spot is connected over a adapter to the camera power supply, so no extra power source is needed.



You can order the spot also with build in microfon and preamplifier

Infrarredspot , 875nm with mounting device

Part.Nr.: 4004

Infrarredspot with microfon and preamplifier

Part.Nr.: 4006

FRANZ VIDEO EQUIPMENT
Am Hohlweg 32a
97286 Winterhausen
GERMANY

Phone: 0049 9333 903 004
FAX: 0049 9333 903 005
Mail: Info@Franz-Video.de
Home: WWW.Franz-Video.de