

12VDC HIGH POWER POE INJECTOR

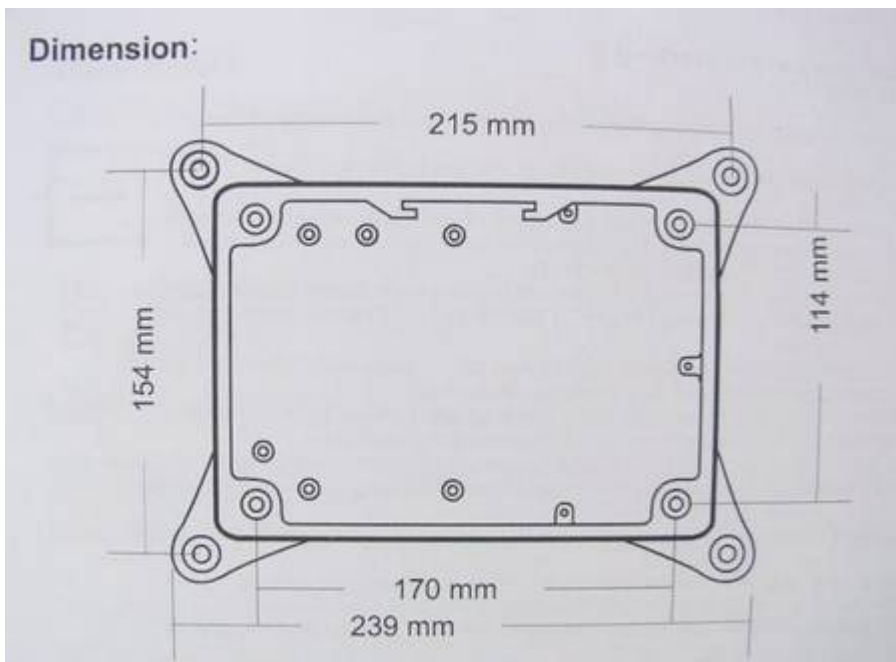
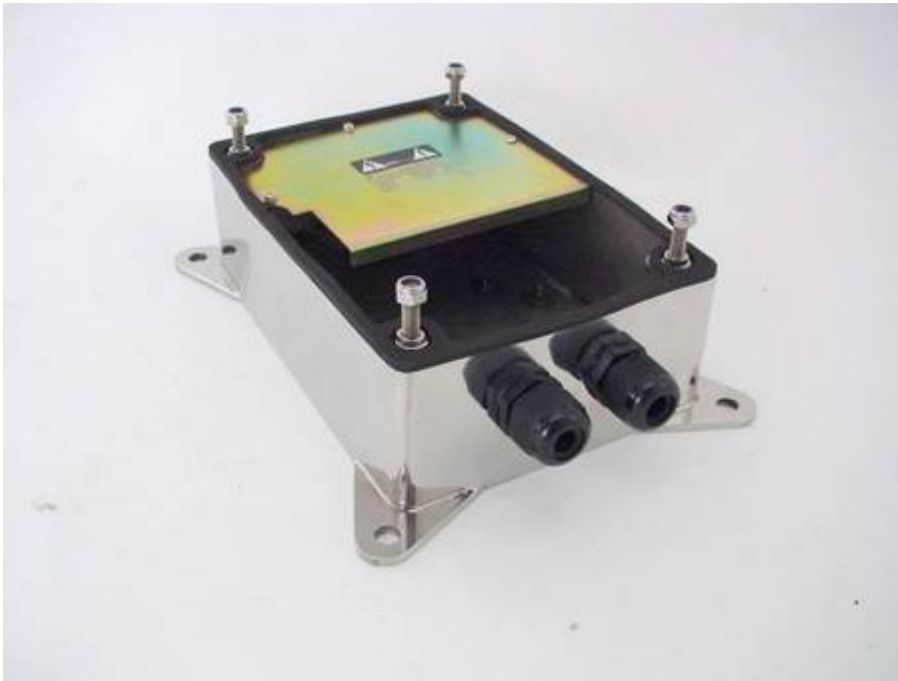
The new network cameras and outdoorsolutions often can be connected to PoE or high power poe. This is a fast and easy camera installation. The standard PoE injectors requires a 90-230VAC power input. In some cases maybe you haven't a AC power source . So if you are on ships, vehicles, solar panels, batterys or wind generators. Our PoE injector works with 12VDC and can be used for that cases.

We offer a indoor version and for outdoor a rugged aluminium or stainless steel box.



POE for camera ——— 12VDC IN
————— Network

Power box



Franz-Video-EQUIPMENT 07/2010

www.franz-video.de